

PHILIPS

LLC785x/00



Light Grey
LLC7850/00, LLC7852/00,
LLC7854/00, LLC7856/00,

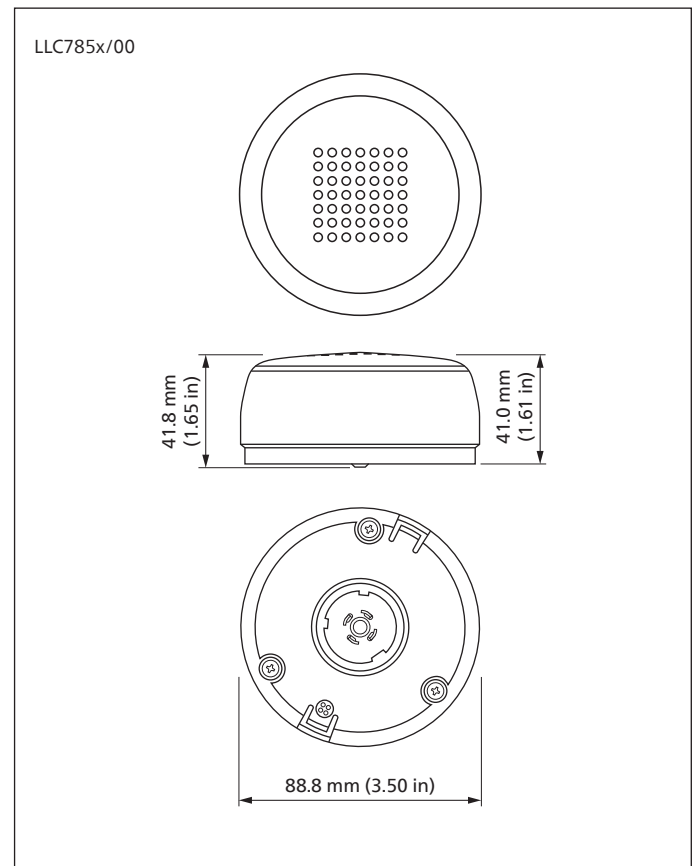
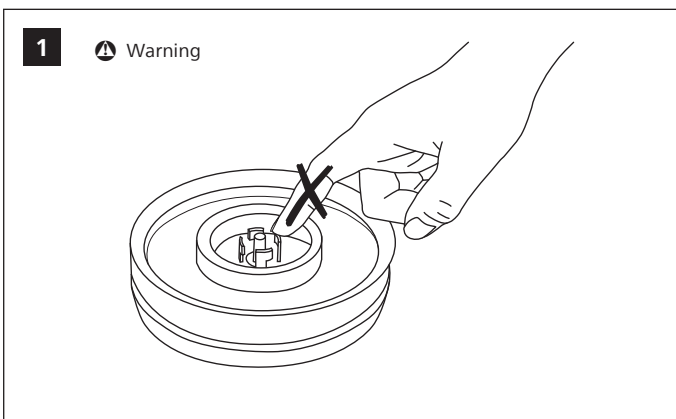
Installation Instructions

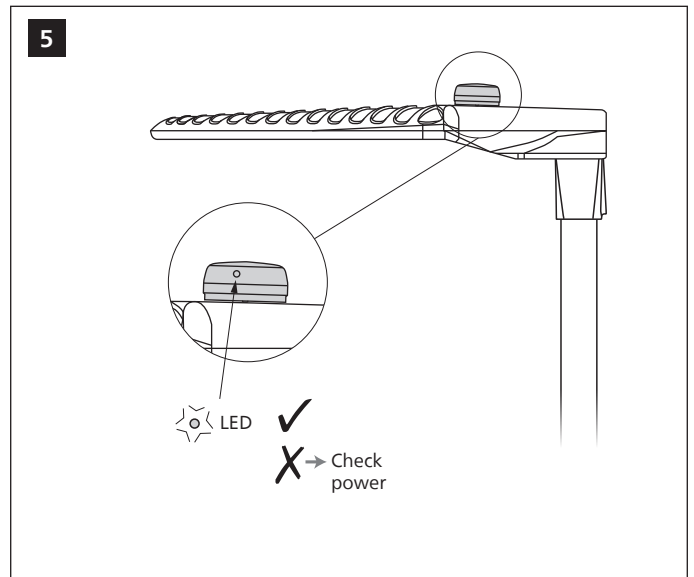
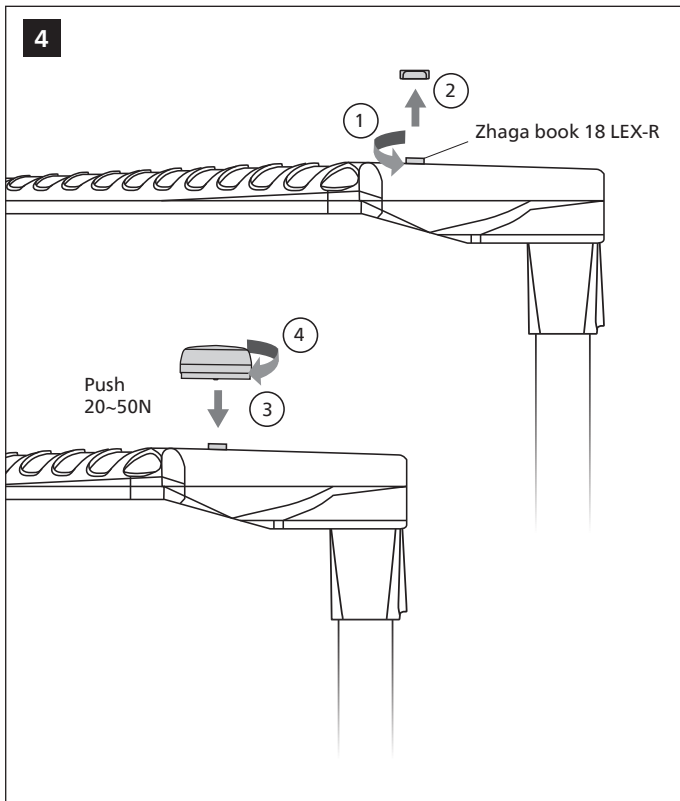
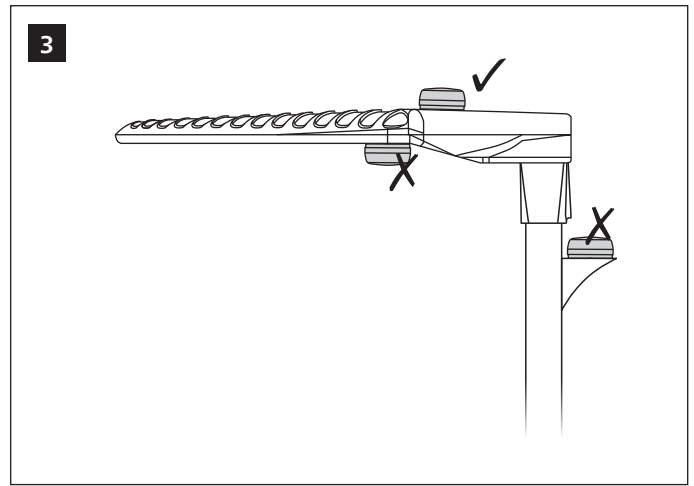
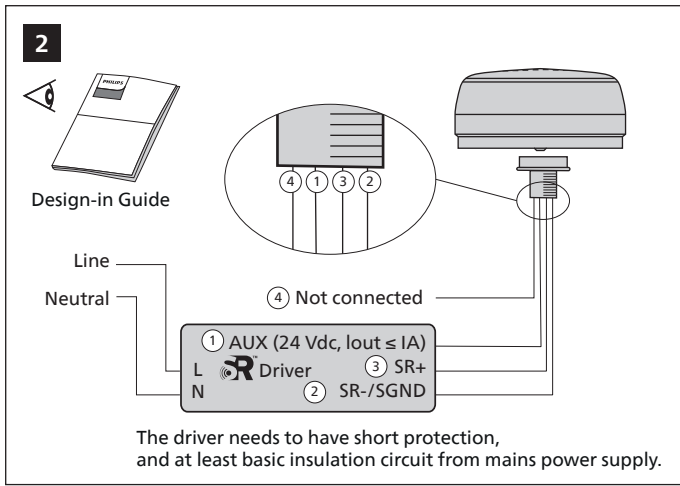
Instructions d'installation
Instrucciones de instalación

Istruzioni per l'installazione
Installatie-instructies

Installationsanweisungen
インストール手順

安裝指示书
إرشادات التركيب





RF Exposure Information

This device meets the EU requirements (2014/53/EU) on the limitation of exposure of the general public to electromagnetic fields by way of health protection. The device complies with RF specifications when the device used at 322 mm from your body.

Hereby, Signify declares that the radio equipment type LLC7850/00, LLC7851/00, LLC7852/00, LLC7853/00, LLC7854/00, LLC7855/00, LLC7856/00 and LLC7857/00 are in compliance with Directive 2014/53/EU. The full text of the EU declaration of conformity is available at the following Internet address: <http://www.philips.com/red>

